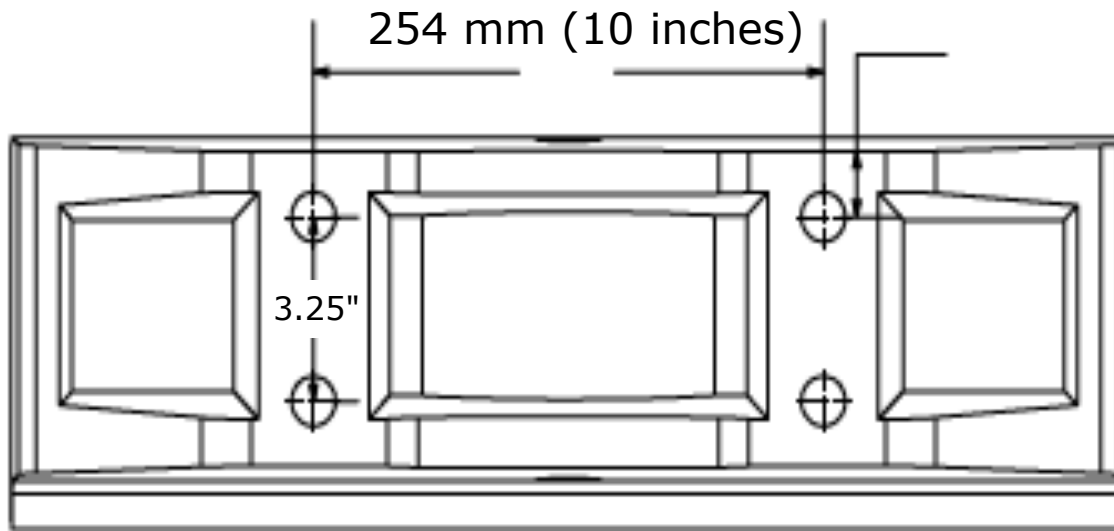


2

1



Requires Center Pin



Total Width is 21.87"
Rear Width, Where Mounts to Tractor, is 13.71"



Will hold 10 ea SL201-G-01 or ST625-G-01

Will hold 14 ea SL202-G-01 or ST632-G-01

Will hold 14 each SL200-G-01 or ST654-G-01

Questions About Fitment?

Contact Product Support

		TRACTORWEIGHTS.COM			
		BL510C-G-01			
		Weight Bracket Weight Support			
Drawn:	JKD				
Checked:	JKD				
Approved:	N/A				
Approved:	N/A				
		A	Code	Drawing Number	
		NTS	120 lb	120 lb	Cast Iron

2

1